



PACIFIC SILK

Technical Data

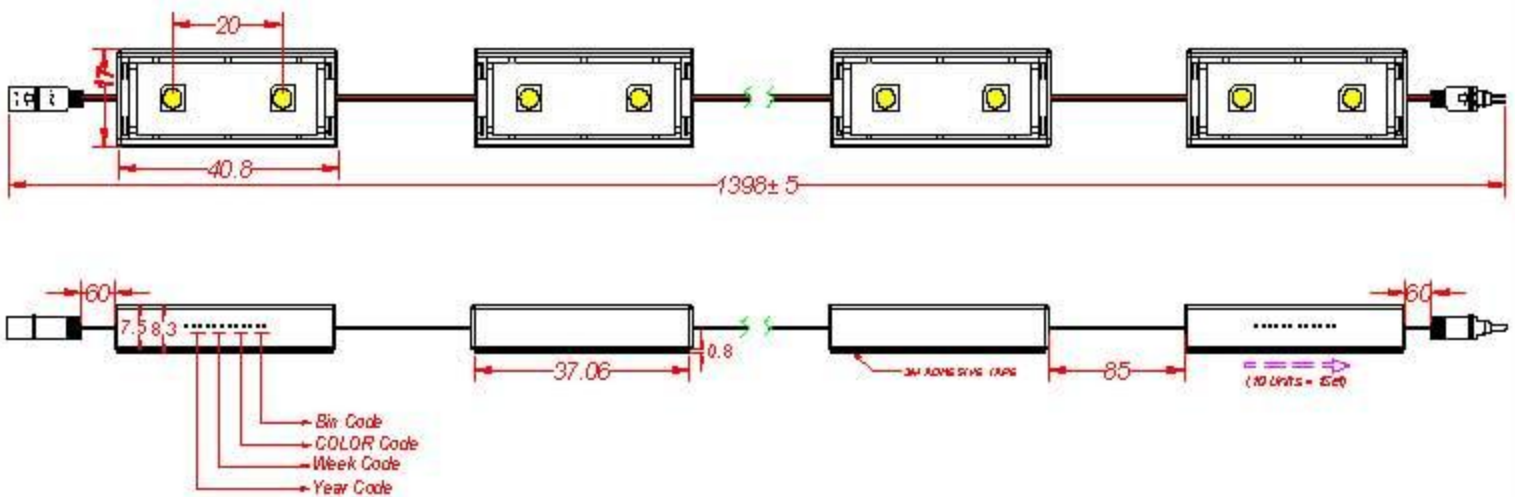
P/N: ps LB-R40X17(3□□)2PX10-DC12V

Rolling color code: W. R. PG. B. Y

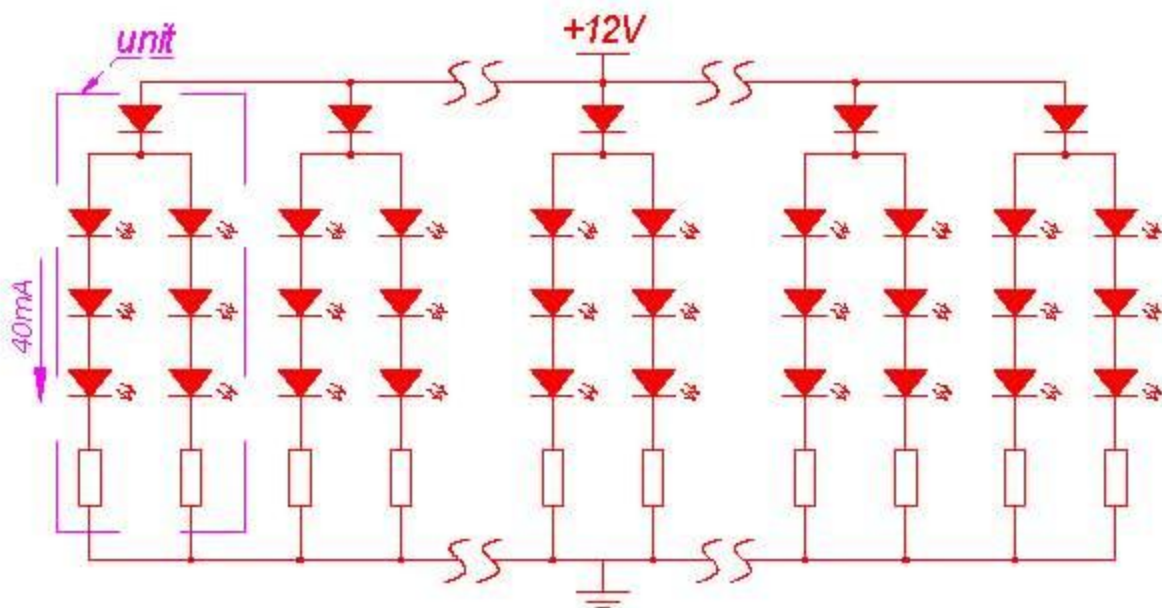
ACTUAL SIZE



PACKAGE DIMENSIONS



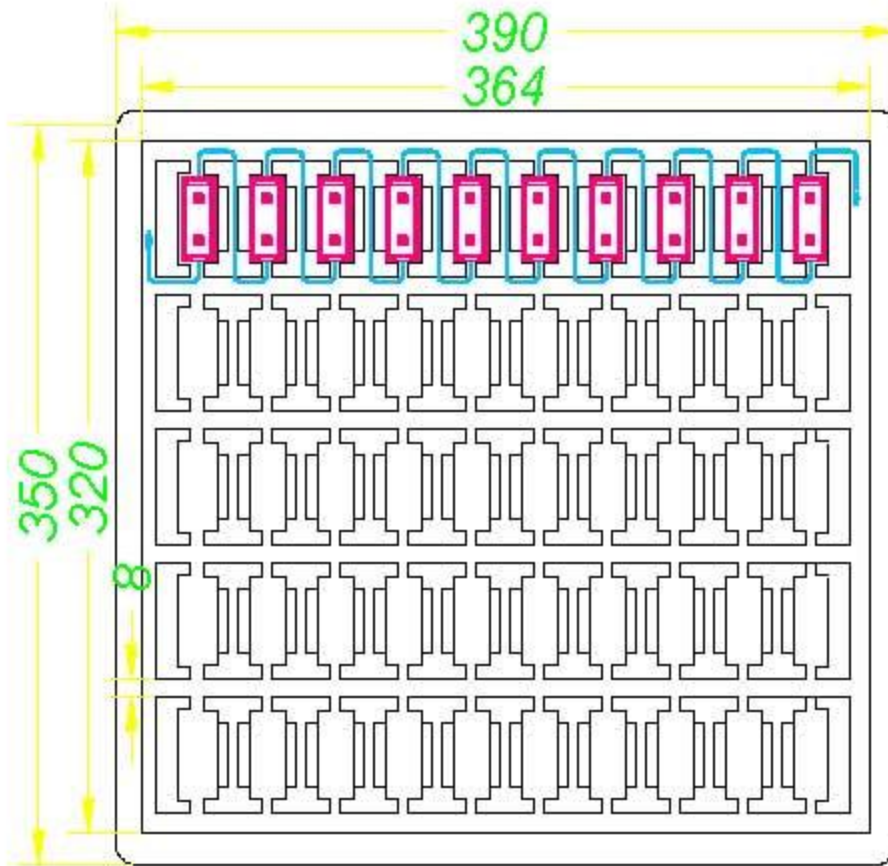
INTERNAL CIRCUIT DIAGRAM



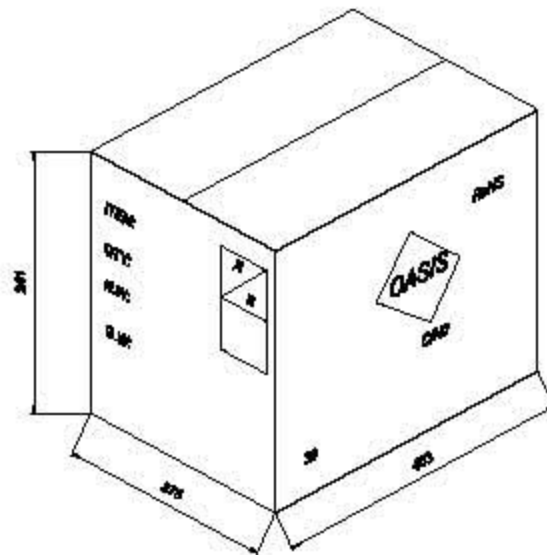
FEATURES

Parameter	Value					Unit
LED Color	White	Red	Green	Blue	Yellow	Color
Color Code	W	R	PG	B	Y	P/N
Luminous Intensity per LED	3910	810	3010	810	1550	mcd
Luminous Flux per Unit	34	17	34	18	19	lm
Color Temperature & Wave Length	3000~4000K	620	522	470	590	nm
	4000~6000K					
	6000~8000K					
LED Type	5050 Topview LED					
Viewing Angle	120					deg
Operating Voltage(DC)	12					V
Operating Current per Unit(DC)	40					mA
Operating Current per Set(DC)	400					mA
Power Dissipation per Unit	0.48					W
Power Dissipation per Set	4.8					W
Operating Temperature Range	-25 to +85					°C
Storage Temperature Range	-35 to +85					°C
Weight per Unit	8					g
Functionality	Oxidation and Damp Proof					type
Guarantee Period	1					year

Package Dimensions (Unit:mm)



5set / TRAY



5set / tray x 15layers = 75set / BOX