

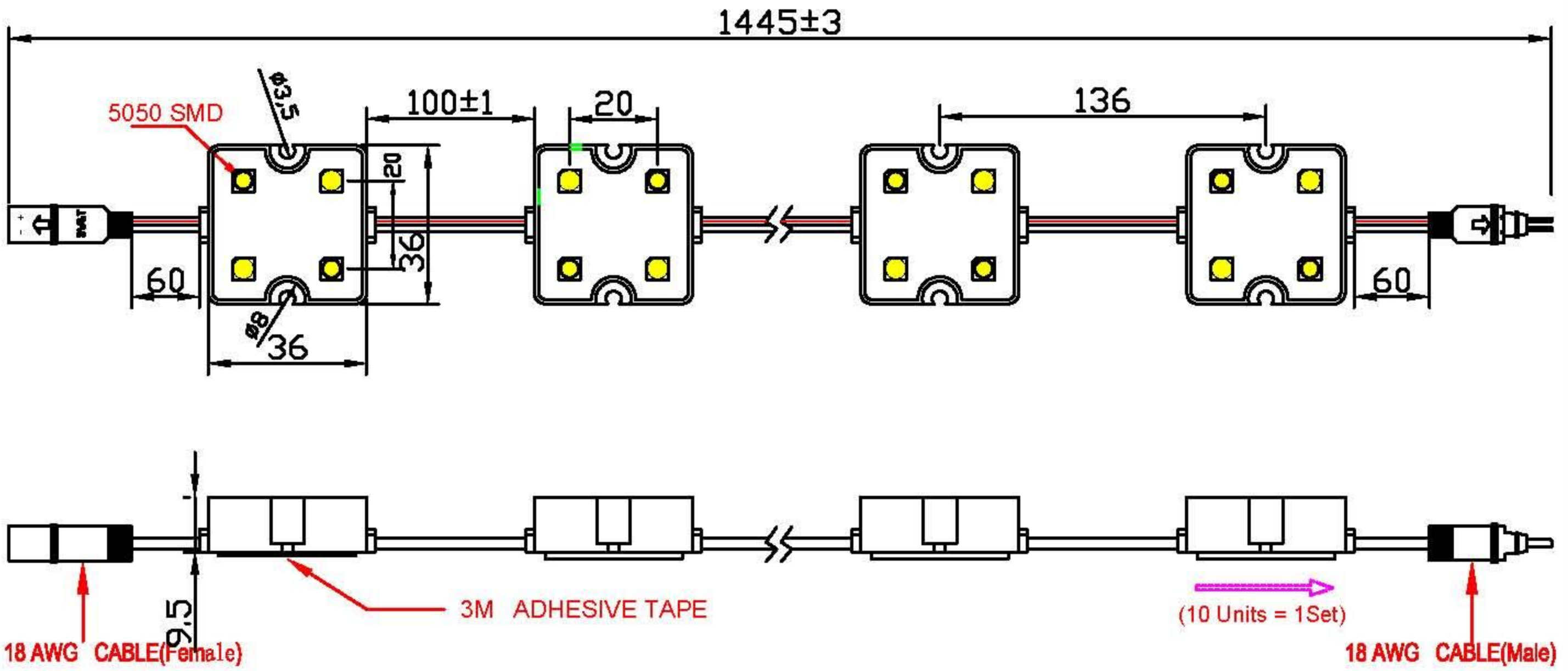


PACIFIC SILK

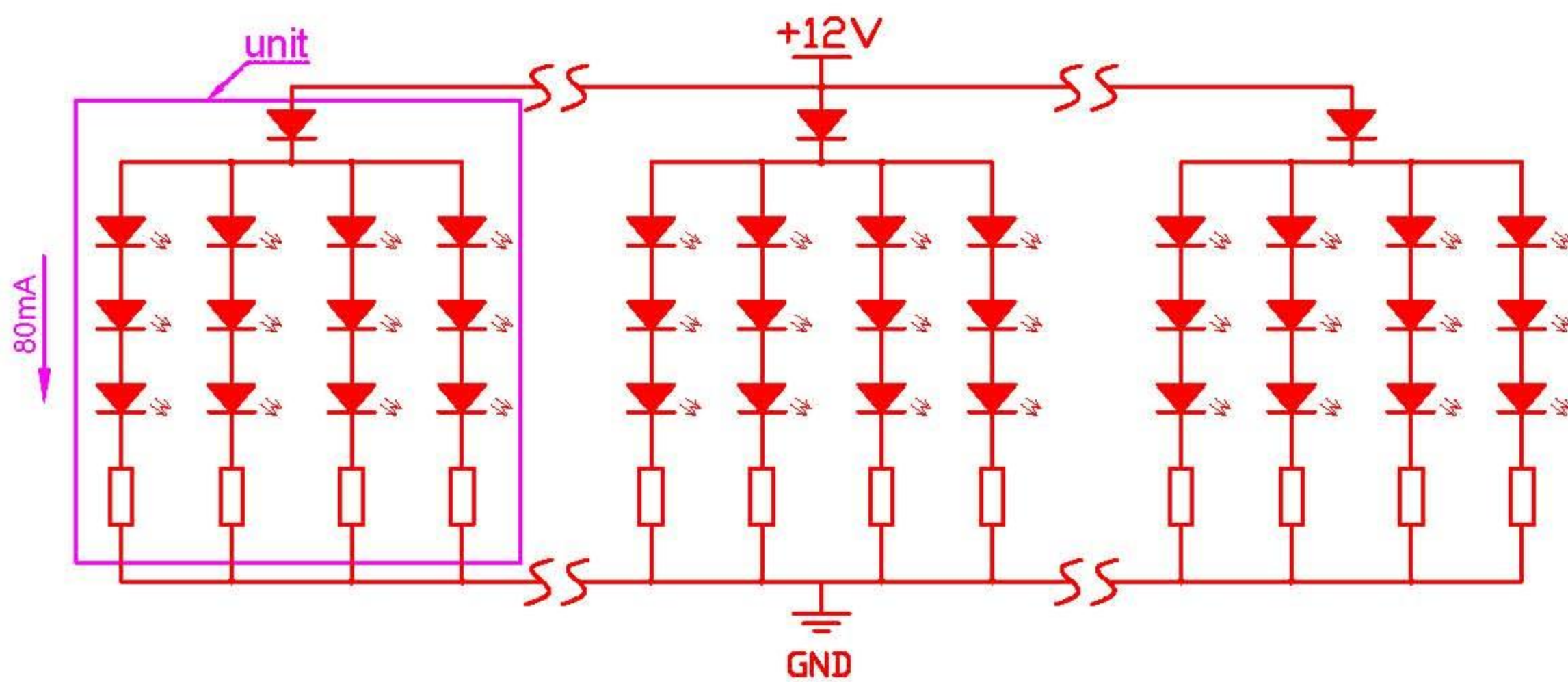
# Technical Data

PART NO. : PS LB-R36X36(3W)4PX10-DC12V

## PACKAGE DIMENSIONS



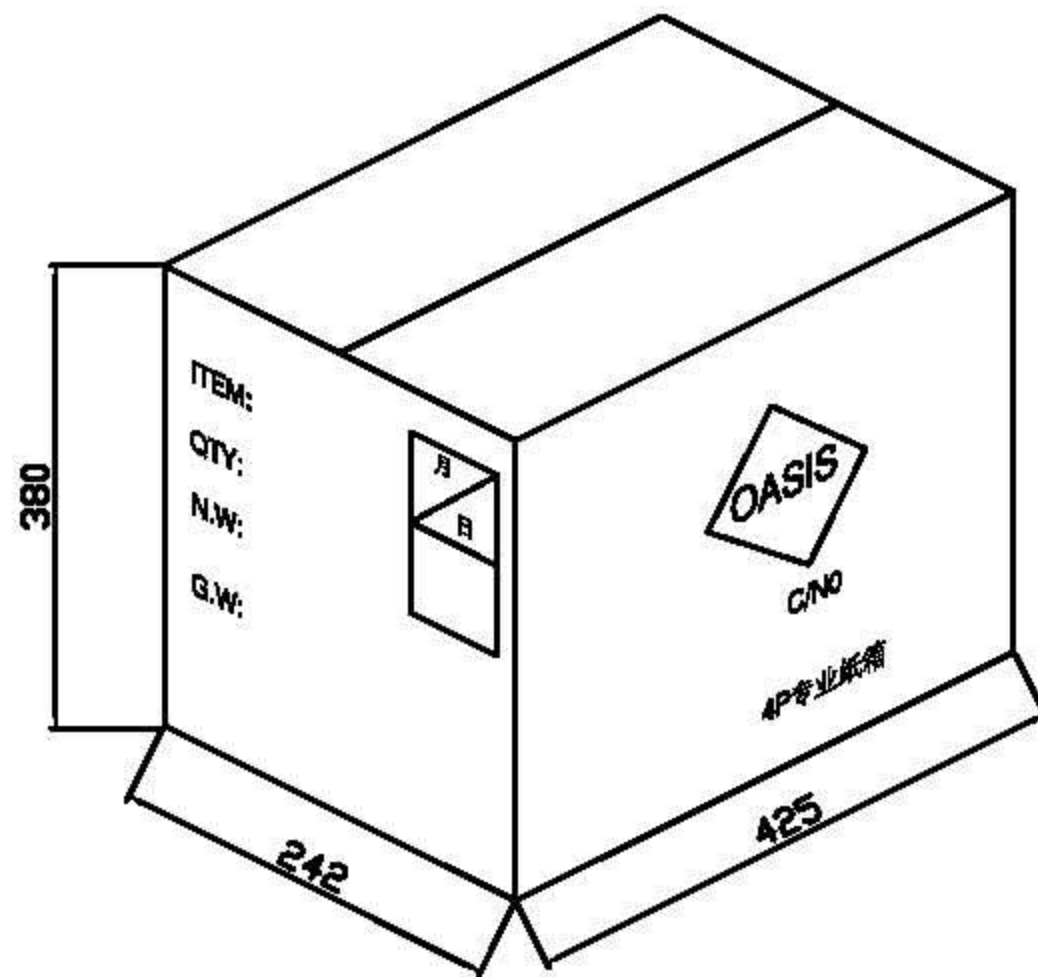
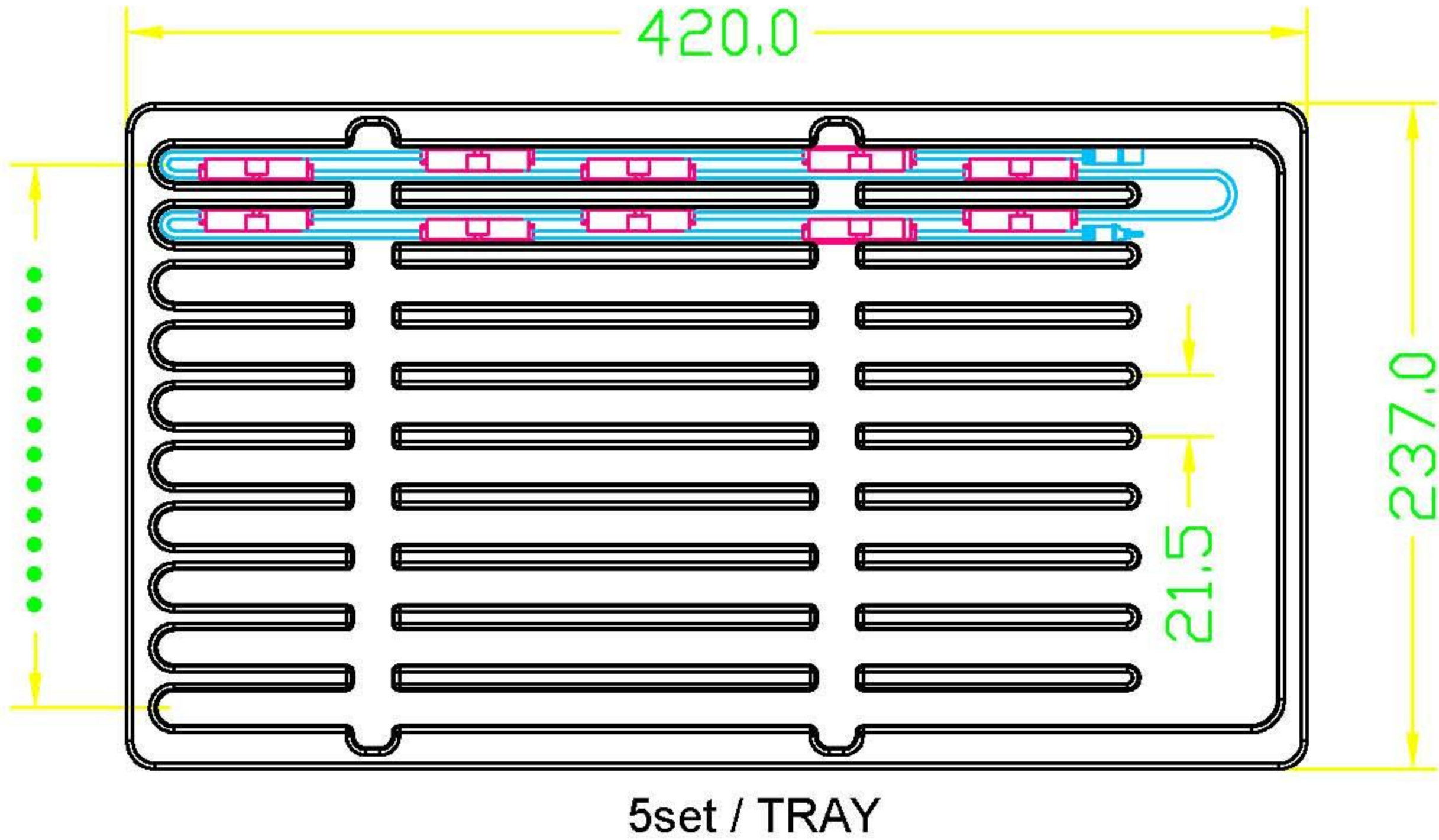
## INTERNAL CIRCUIT DIAGRAM



## FEATURES

Parameter	Value					Unit
LED color	White	Red	Green	Blue	Yellow	Color
Part NO section	W	R	PG	B	Y	P/N
Luminous Intensity per LED	3910	810	3010	810	1550	mcd
Luminous flux per Unit	42	21	42	22	23	lm
Color Temperature & wave length	X: 0.268 - 0.288 Y: 0.248 - 0.279	620	522	470	590	nm
	X: 0.278 - 0.296 Y: 0.262 - 0.295					
	X: 0.292 - 0.311 Y: 0.276 - 0.305					
	X: 0.287 - 0.309 Y: 0.286 - 0.315					
	X: 0.309 - 0.330 Y: 0.294 - 0.329					
	X: 0.307 - 0.330 Y: 0.305 - 0.339					
LED type	5050					SMD LED
Viewing Angle	120					deg
Operating Voltage(DC)	12					V
Operating Current per Unit(DC)	80					mA
Operating Current per Set(DC)	800					mA
Power Dissipation per Unit	0.96					W
Power Dissipation per Set	9.6					W
Operating temperature Range	-40 to +85					°C
Storage temperature Range	-50 to +85					°C
Weight per unit	16					g
Product type	Waterproof & Prevent Oxidation					type

Package Dimensions (Unit:mm)



5set / tray x 10layers = 50set / BOX